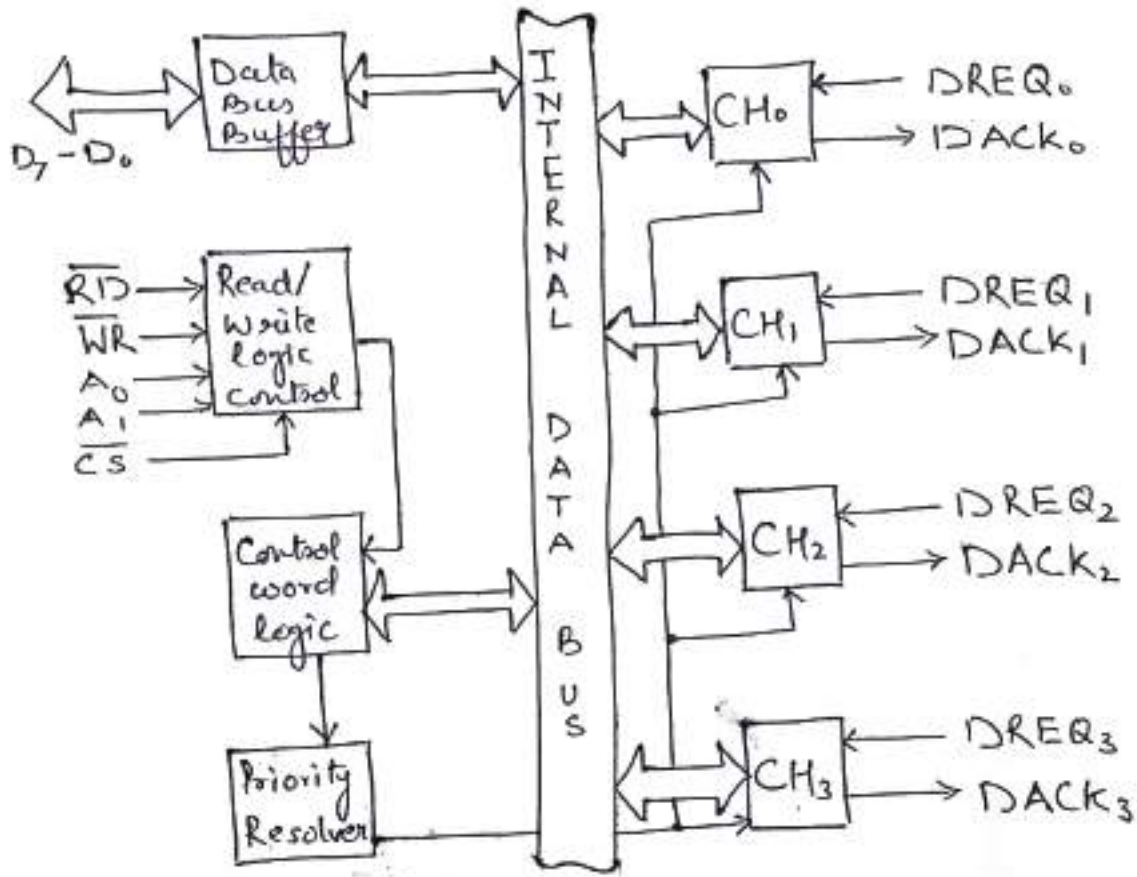


DMA Controller [DMAC] 8237

Features :-

- 1.) It has 4 identical channels allowing external devices to directly transfer information to / from the system memory.
- 2.) It also allows memory-to-memory data transfer.
- 3.) It can be expanded to any no. of channels by cascading additional controller chips.
- 4.) It can transfer data with high speeds.
- 5.) Each channel has a full 64k address and word count capability.

Block diagram of 8237 A :-



Internal block dia. of 8237 A

It contains blocks of control logic and internal register.